



EK40

MULTI-PURPOSE PILING RIG



EK40

MULTI-PURPOSE PILING RIG

The GEAX EK40 is a multi-purpose piling rig designed to achieve the highest levels of versatility, manoeuvrability, ease of use, transportation, production and reliability. It is configured to operate in various different piling modes.

For each drilling mode a special kit is designed to optimize the performances. However, the modularity of the components makes the conversion among the different kits extremely easy, fast and low-cost.

The GEAX EK40's outstanding production capability is comparable to machines of a much larger size. Its excellent stability allows easy manoeuvrability on job sites and ensures fast and safe operating movements. Its compactness and low weight allows easy transportation without special permits.

The Eurocomach ESP100 base carrier, constructed to GEAX specifications, ensures excellent reliability and maintenance with operator cabin comfort not available on proprietary machines

The GEAX EK40 (in common with other GEAX machines) has an articulation structure similar to a

normal excavator with a long boom supporting the mast. This allows a wide range of mast positioning and independent adjustment of the vertical position of the mast. Wire rope positions are not dependent on the position of the mast as the winches are mounted on the mast itself. This design, compared to other machines, usually with parallelogram type mast supports, ensures the following:

- Excellent rigidity and lightness
- More precise movements
- Fast setup time
- Wide range of tool positioning
- Simpler maintenance
- Better visibility for the operator

Electronic devices

EK series machines are equipped with an electronic system which controls and displays several functions and parameters.

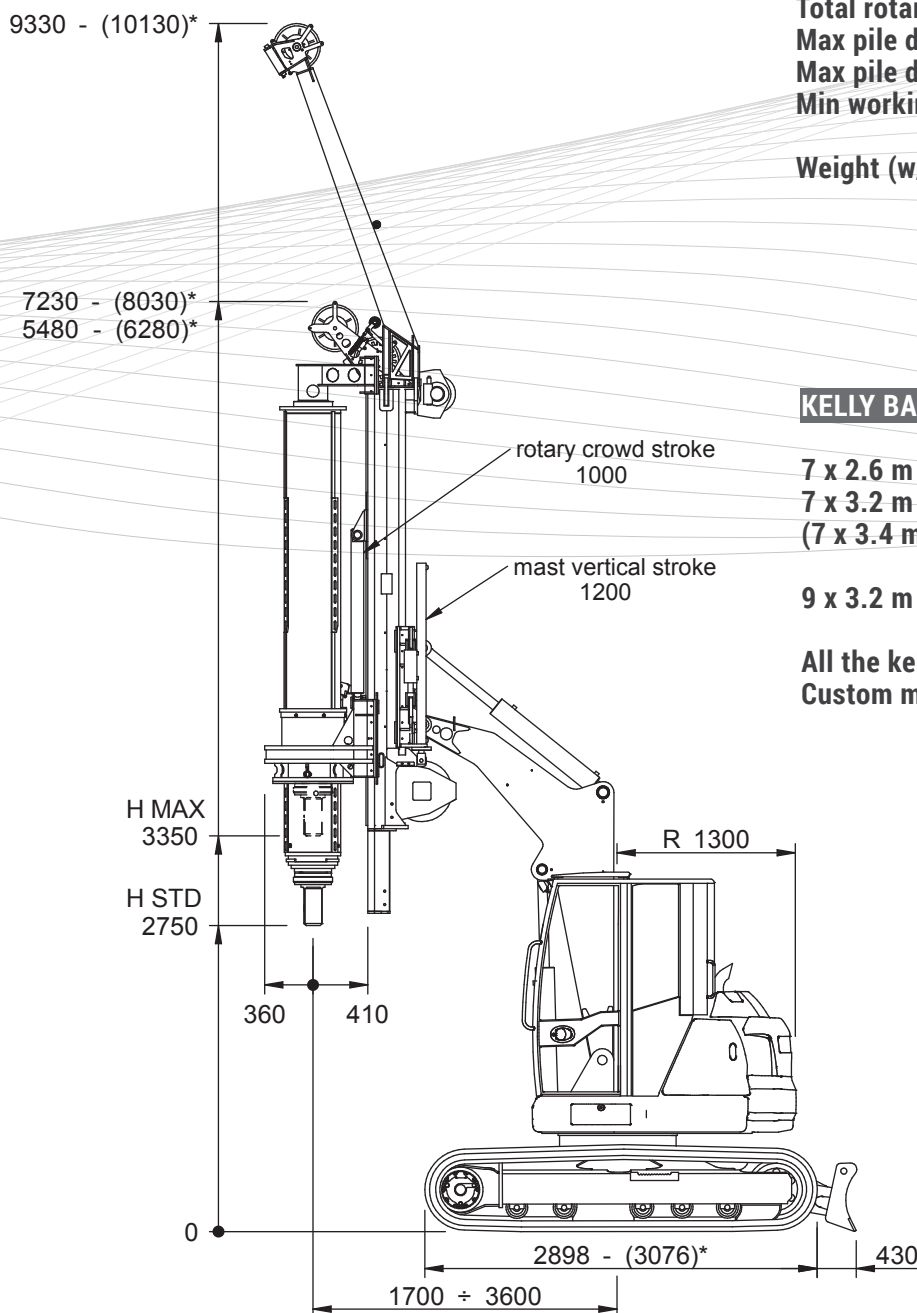
- Automatic alignment of the mast
- Mast inclination display
- Depth measuring device

A GPS system enables GEAX owners to monitor and manage their machines remotely by a PC connected to the Internet



EK40

LARGE DIAMETER PILES



Pull down force	60 kN - 13.400 lbf
Extraction force	60 kN - 13.400 lbf
Mast vertical stroke	1.200 mm - 3.95 ft
Total rotary stroke	2.200 mm - 7.2 ft
Max pile diameter	1.000 mm - 40 in
Max pile depth	27 m - 88.6 ft
Min working height	5480 mm - 18 ft (6280 mm - 20.6 ft)*
Weight (w/o tool)	12.500 kg - 27.600 lb (14.000 kg - 30.850 lb)*

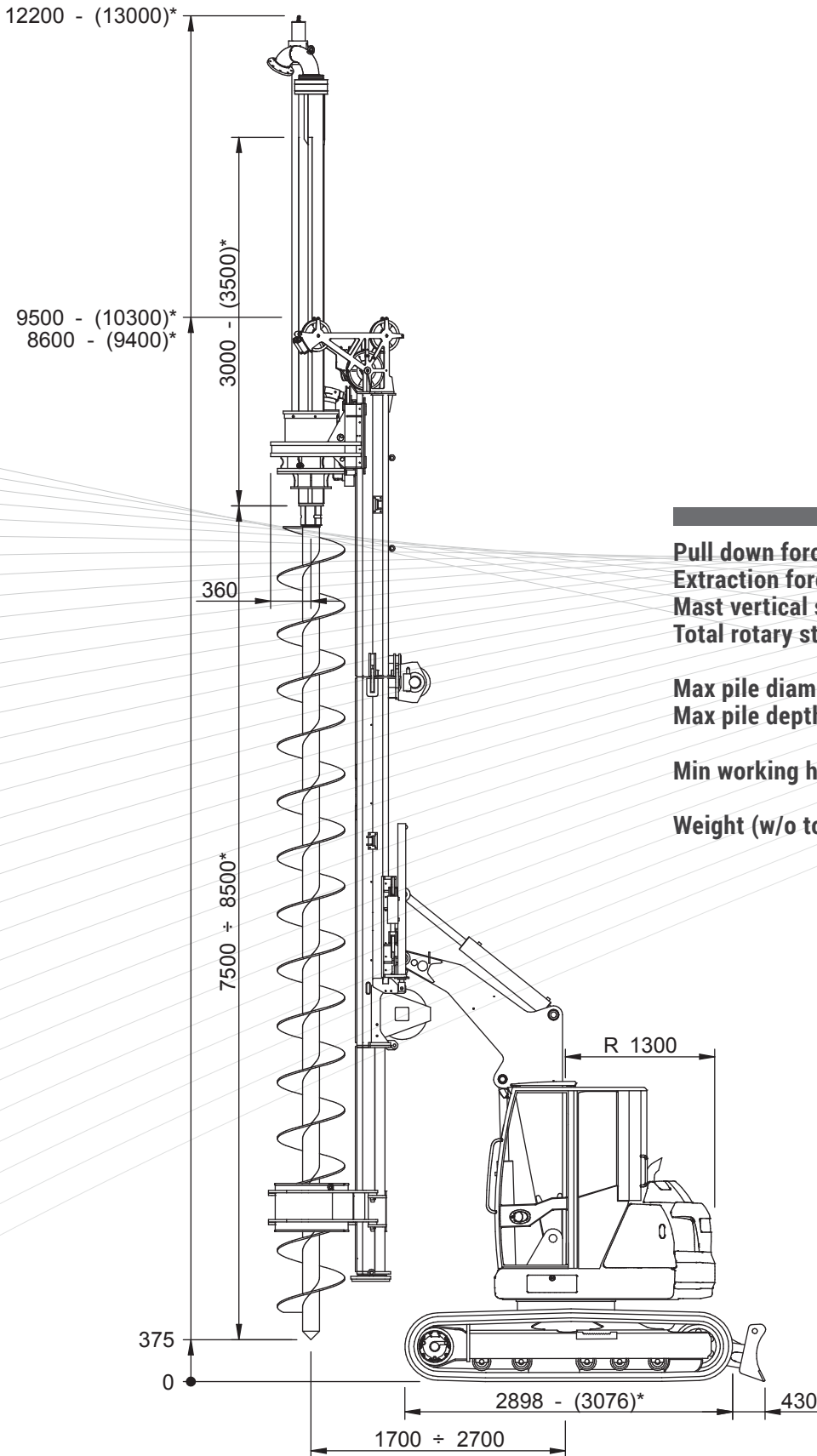
KELLY BAR OPTIONS	Depth	H
7 x 2.6 m	16 m	3350 mm
7 x 3.2 m Standard	20.5 m	2750 mm
(7 x 3.4 m Standard)*	22 m	3350 mm
9 x 3.2 m	27 m	3350 mm

All the kelly bars are round interlocking
Custom measures available upon request

()* EXPANDABLE TRACKS

EK40

CFA



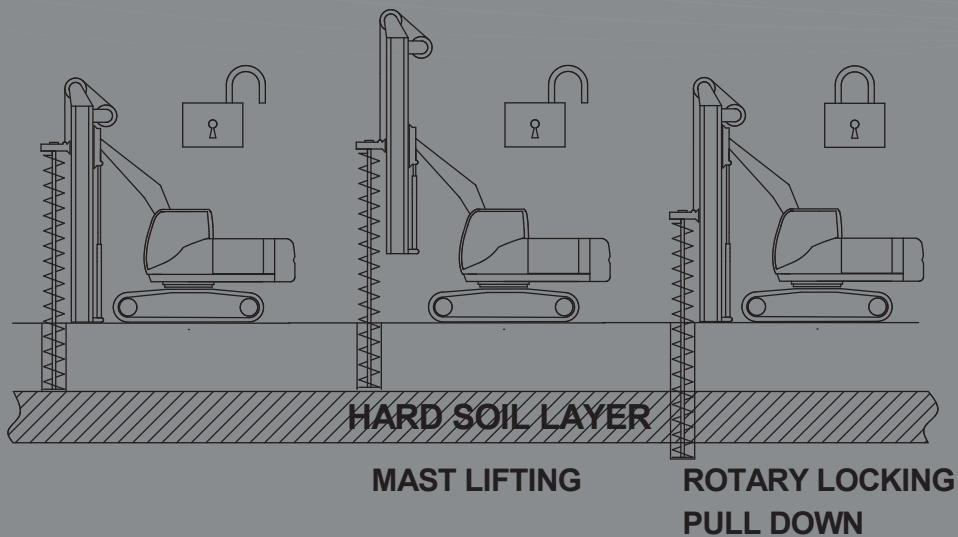
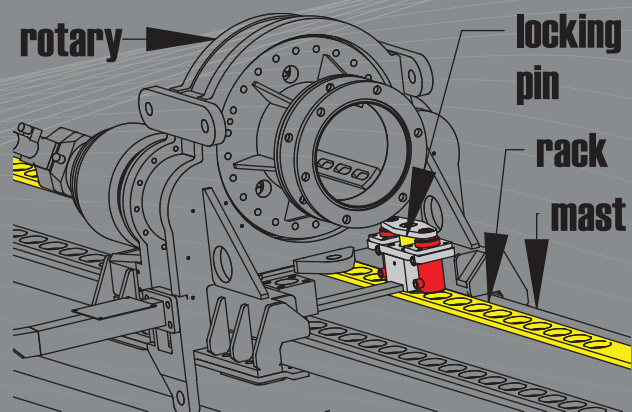
Pull down force	60 kN - 13.400 lbf
Extraction force	165 kN - 37.100 lbf
Mast vertical stroke	1.600 mm - 5.25 ft
Total rotary stroke	7.500 mm - 24.6 ft (8.500 mm - 27.9 ft)*
Max pile diameter	500 mm - 20 in
Max pile depth	10 m - 32.8 ft (11.5 m - 38 ft)*
Min working height	8.600 mm - 28.2 ft (9.400 mm - 30.8 ft)*
Weight (w/o tool)	12.000 kg - 26.500 lb (13.500 kg - 29.750 lb)*

() * EXPANDABLE TRACKS

BPS patented crowd system for CFA piles

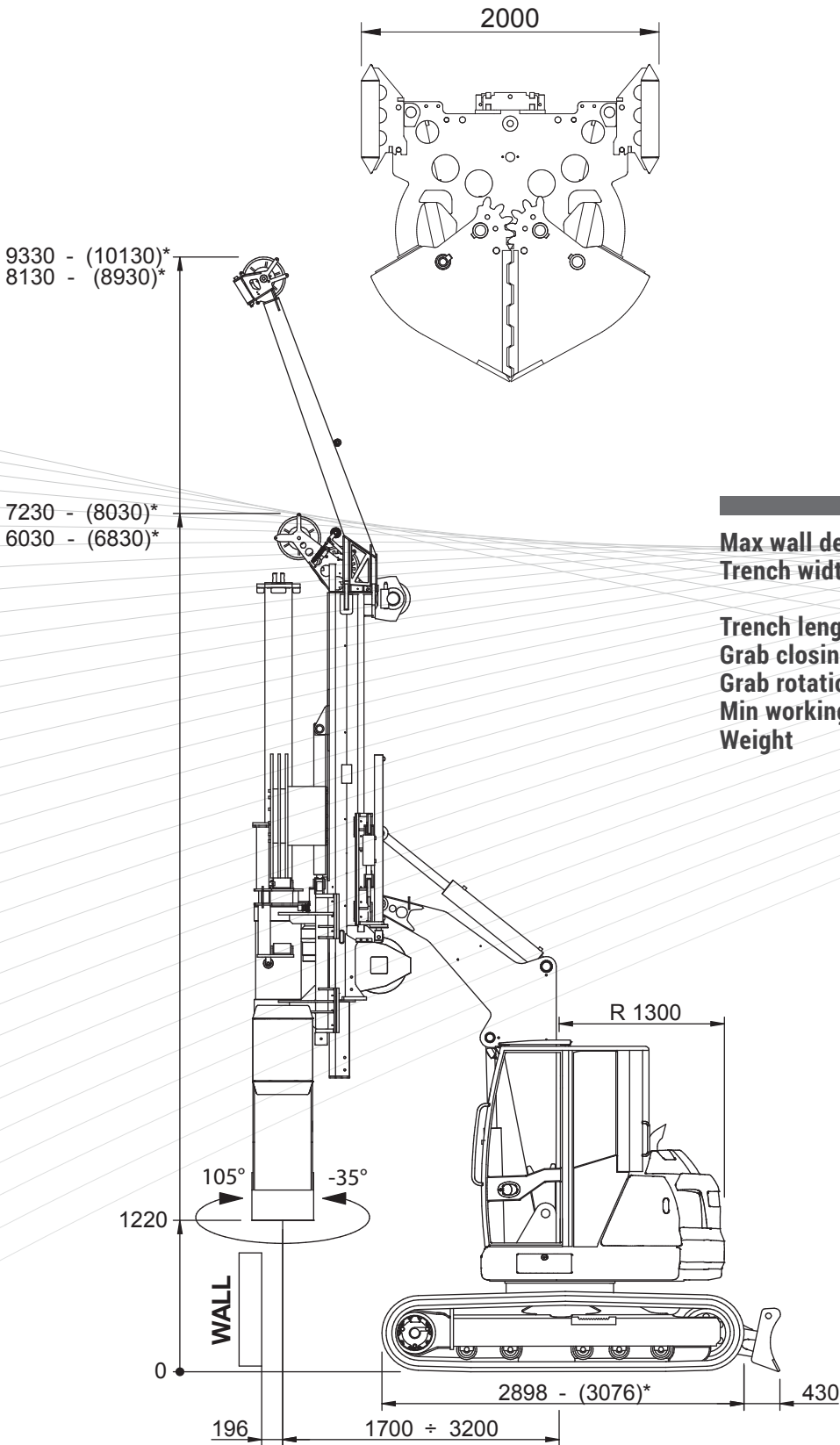
The pull-down system type BPS is GEAX's patented crowd system for CFA piling, providing a mechanical locking system between the rotary head and the mast which creates a crowd force on the auger and the crowd force is available along the entire length of the mast.

The pull-down system is activated only when needed by the operator and requires no pulleys or ropes.



EK40

DIAPHRAGM WALLS



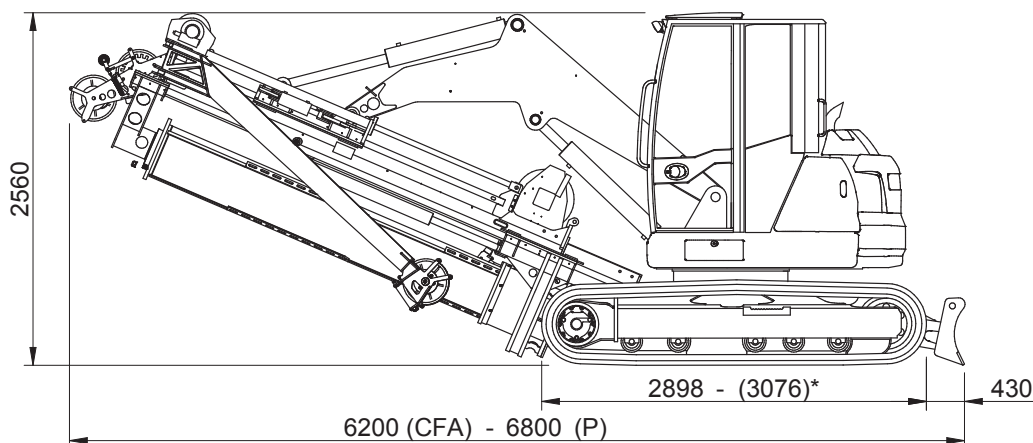
Max wall depth	12 m - 39.4 ft
Trench width	300 ÷ 500 mm 12 ÷ 20 in
Trench length	2.000 mm - 6.6 ft
Grab closing force	120 kN - 27.000 lbf
Grab rotation	+105° ÷ -35°
Min working height	6030 mm - 19.8 ft
Weight	12.500 kg - 27.600 lbs

() * EXPANDABLE TRACKS

EK40

TECHNICAL DATA SHEET

BASE		EUROCOMACH ESP100	
Engine	<i>type</i>	YANMAR 4TNV98	
Engine power	<i>kW - hp</i>	46.5 - 63.2 / 53.7 - 73 Tier4	
Undercarriage length	<i>mm - ft</i>	2898 - 9.5 / 3076 - 10	
Width over tracks	<i>mm - ft</i>	2320 - 7.6 / 2320÷2920 - 7.6÷9.6	
Shoe width	<i>mm - in</i>	450 - 17.7	
HYDRAULIC SYSTEM			
Main pump	<i>l/min</i>	185	
Auxiliary pump	<i>l/min</i>	20	
Hydraulic pressure	<i>bar</i>	280	
MAST			
Forward inclination	<i>deg</i>	20	
Backward inclination	<i>deg</i>	20	
Lateral inclination	<i>deg</i>	6	
Mast vertical stroke	<i>mm - ft</i>	1200 - 3.95	
ROTARY			
Nominal torque	<i>kNm - lbf ft</i>	34 - 25.000	
Drilling speed	<i>rpm</i>	10 ÷ 60	
Spin off speed	<i>rpm</i>	60	
WINCHES		KELLY	CFA
Main winch line pull	<i>kN - lbf</i>	55 - 12.350	55x3 - 12.350x3
Aux winch line pull	<i>kN - lbf</i>	16 - 3.600	16 - 3.600
CROWD SYSTEM			
Pull down force	<i>kN - lbf</i>	60 - 13.400	60 - 13.400
Extraction force	<i>kN - lbf</i>	60 - 13.400	165 - 37.100
Total rotary stroke	<i>mm - ft</i>	2.200 - 7.2	7.500 - 24.6
EXCAVATION			
Max pile diameter	<i>mm - in</i>	1.000 - 40	500 - 20
Max pile depth	<i>m - ft</i>	up to 27 - 88.6	10/11.5 - 33/38
Min working height	<i>mm - ft</i>	5.480 - 18	8.600 - 28.2
TRANSPORT			
Length	<i>mm - ft</i>	6.800 - 22.3	6.200 - 20.3
Width	<i>mm - ft</i>	2.320 - 7.6	2.320 - 7.6
Height	<i>mm - ft</i>	2.560 - 8.4	2.560 - 8.4
Weight	<i>kg - lbs</i>	12.500 - 27.600	12.000 - 26.500





Via Campoceraso 13 - 60027 OSIMO (AN) ITALY

Tel: +39 0717131953 - Fax: +39 071715199
geax.it - info@geax.it