

SPIDER 22.10.46 kV

EN

SELF-PROPELLED TRACKED VEHICLES



PL / **TFORM**
B A S K E T

RAISING THE STANDARD

Made in Italy



SERIES SPIDER 22.10.46 kV

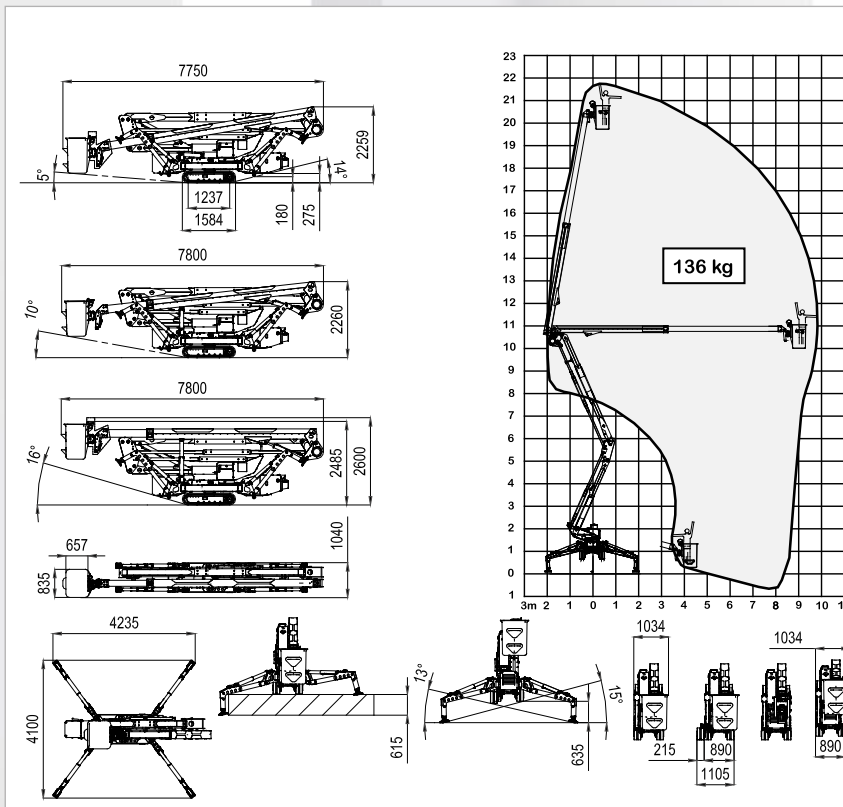
Suitable for aerial work near live power lines

- Conforms to the ANSI/SAIA A92.2 standard for category C machines
- High pressure hydraulic lines for basket accessories
- Tracked crawler with hydraulic widening
- Radio Command in Basket with spare battery
- Easy maintenance

- Simple and intuitive on-board equipment
- Ultra-light and easy to transport



campbellcv.com 31119



TECHNICAL SPECIFICATIONS

		STD
Dielectric protection during working	KV	46
Maximum working height	m	21,80
Floor height	m	19,800
Maximum side outreach	m	10,00
Rotation angle of the tower	°	360
Aluminium basket dimensions	m	0,60x0,76
Basket rotation angle	°	70+70
Maximum capacity of basket	Kg	136
Length closed (basket disassembled)	m	7,75
Minimum width closed	m	0,90
Minimum height closed	m	2,25
Overall dimensions Stabilization	m	4,15 x 4,27
Maximum horizontal inclination	degrees/%	16° (29%)
Maximum side inclination	degrees/%	16° (29%)
Maximum speed	Km/h	1,50
Two Speed (option)		2,70
		STD
Weight in work conditions*	Kg	3790
Ground pressure stowed machine	KN/m²	7,47
Ground pressure when on stabilizers	KN/m²	2,30
Max point load on one stabilizer	KN	21,8
		STD
Z602E Kubota diesel engine	CV/Giri'	12,5 / 3200
Electric Motor 12 Vdc	CV/Giri'	-
Ignition and emergency battery	Vdc/Ah	12 / 55

* Subject to change depending on configuration.